



LAND MEASUREMENT SYSTEMS INC.



SALES / SERVICE / RENTALS



Spring 2009 Construction Flyer

Topcon RL-H3C Laser \$ 995

Topcon RL-H3CL \$1,395

- Fully automatic self-leveling
- Height of instrument alert (HI alert)
- Long 500ft. operating radius/ RL-H3CL 820ft.(250m) operating radius
- Machine control compatible
- 15 arc second accuracy
- 650nm visible red beam
- Universal rod clamp for LS series sensor



Call for your demo today! 



Topcon RT-5SW



Wireless "Smart" Slope Laser

\$ 8,495

- World's Most Accurate Laser- 1mm at 40 Meters
- 1200 Meter Diameter
- Dual Sloping Capable - Grades of +/- 25%
- SmartLine Alignment System
- Remotely Controlled RC300



LS-B100/110 Series Machine Mounted Receivers

- LS-B100 \$1,565
- LS-B110W \$2,865
- LS-B110 \$2,245
- RD-100W \$1,000 (remote display)

- Accuracy +/- 3mm
- 800m diameter
- 100 Hours of battery Life
- Rechargeable battery option
- Tilt Indicate Function (LS-B110)
- Zero Set Function (LS-B110)
- Wireless In-Cab Display Option- (LS-B110W)



Topcon RL-100 Series Self Leveling Sloping Lasers

- RL-100 1S Single Sloping Laser \$ 3595
- RL-100 2S Dual Sloping Laser \$ 4,995

- Height of instrument alert (HI alert)
- 5 arc second repeatability
- Wide grade range (up to +/-25%) without slope blocks
- Extra-long battery life (65 hrs)
- Increased range - up to 2,500 ft. (770m)
- Graphical display
- Full function remote Fully automatic self-leveling



Industry Leading Machine Control Systems

Available for;

- 2D (Laser or Sonic tracking)
- 3D GPS & Robotic Controlled!
- Works off a GPS Network reducing capital costs!
- Dozers, Graders, Excavators compactors & Scrapers
- Kits for Caterpillar, John Deer, Kamatsu, Case, Volvo..... etc
- Ability to track multiple sensors! Quarter Crowns made easy!
- Finish Grade accuracy with a Dozer in 3rd Gear- Twice as fast as any MC!
- mmGPS add-on to any machine for finish work



VANCOUVER | CALGARY | EDMONTON | WINNIPEG
Toll Free 1-877-291-7503 Fax 1-800-599-1772 WWW.LMSSURVEY.COM

GST not included and prices subject to change without notice.



Topcon Paving Systems Starting from \$14,000

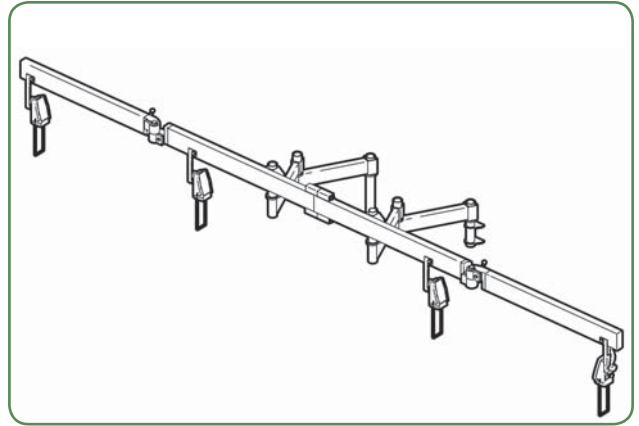
The Next Generation of simple-to-operate, upgradeable, completely compatible grade control for your asphalt paver from Topcon! Track Elevated String, surface string, Proven to enhance rideability, System 5 removes the stabbing and cranking that can cause scalloping and uneven mats.

Tired of Contact Ski's?
Try our Smoothtrack™ Sonic Averaging Ski!



Replacement parts

Sonic tracker	\$2,995
Slope Sensors	\$3,125
Bail Wires	\$23.50



Supplies

Hard Hats - ANSI Approved \$19.50

18" Traffic Cones \$ 19.00



Survey Vest & Traffic Vest



Hi Vis Mesh Safety T-shirt \$ 27.50
 • Meets CSA Z96-02 class 2 level 2



Surveyor/Supervisor Vest \$ 79.95
 • Meets WCB and CSA Standards



Mesh Safety Vest \$26.00
 • Meets CSA Z96-2 class 2 Level 2

Tripods

Aluminum \$59
 (150-0322)

For Heavy duty wood \$185
 (150-1715SB20)



**Dutch Hill
 2000 Tripods
 \$295**

Measuring Tapes

Fiberglass

30M Metric/Imperial
 Dual Sided Tapes **\$ 21**
 50M Metric/Imperial
 Dual Sided Tapes **\$ 35**
 100M Metric/Imperial
 Dual Sided Tapes **\$ 59**

Nylon Clad Steel Tapes

30M Tape, Nyclad, 2 Sided, Metric / Inches, **\$47**
 165'/50M Tape, Nyclad, 2 Sided, Metric / Inches **\$79**
 300'/100M Tape, Nyclad, 2 Sided Metric/Inches **\$125**

**Pocket Tape, 25' x 1", Rubber Covered,
 Feet / 8ths \$ 9.50**





TPL-4 Series Pipe Lasers

Automatic Alignment, easy-to-use Green Beam®, and a full function remote. Minimize time in the trench, maximize production. 5 Different models available to meet your needs and budget!

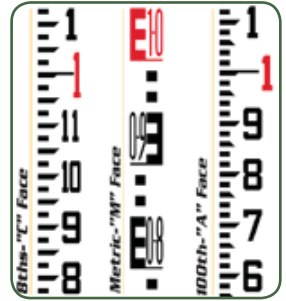
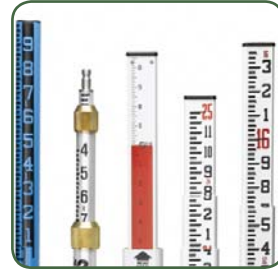
Starting from **\$5,795**

- Green Beam is 4x as bright as competitive red beam lasers
- World's most accurate leveling and grade system
- Rugged cast aluminum, waterproof housing (TP-L4GV & AV only)
- Up/Down Plummet beams



Grade Rods

- 5m x 5 Section** \$58 (150-0243)
- 7.6 M Fiberglass** \$285 (150-0944)
- Snap On Rod Level** \$11 (150-0244)



Schonstedt GA 52CX Locators \$ 995

Schonstedt's underground magnetic locators have been setting the standards for reliability and dependability for over 30 years. Backed by a 7 year manufacturer's warranty!



Magna-Trak® 100 Magnetic Locator \$ 750

The Magna-Trak 100's LCD indicator offers a digital bar graph display, in addition to a standard audio tone, to precisely identify the target object, especially in noisy, congested areas. An additional feature is a visual reminder when batteries are low. Backed by a 5 Year manufacturer's warranty!

DT200L Digital Theodolite Starting at \$3195

- Simplify layout and positioning jobs with speed and accuracy
- Waterproof and Dust Proof
- Optional laser pointer to improve your layout abilities
- Available in 5", 7", and 9" Accuracy



Field and Level Books \$6.95



Plumb bob Packages \$46.95

16oz plumb bob, leather sheath, and 12 ft gammon reel



TOPCON ATG Series

- Water Proof, Dust proof construction
- 2 Speed Focus
- Fast, Accurate and Stable Leveling



ATG6 Automatic Level 24X \$ 350 **ATG4 Automatic Level 26X \$ 695**



RL-VH4G Self Leveling Builders Laser \$ 3,995



- Ultra-visible GreenBeam® - 4 times more visible!
- Exclusive SmartScan® lets you draw a line of focused laser light on any surface, to any length you require.
- Built-in floor mount and simultaneous 90 beam makes easy work of vertical layout.
- Removable laser guard delivers full 360e laser sweep with no pillar "gaps".
- Omni-directional RC-30 radio remote control is included...range up to 300'.

File & Plan Storage

Mobile Plan Holders \$ 365.00

- holds up to 20 Binders



Wall Mounted Units

- 5 Binder Capacity \$ 60.00
- 10 Binder Capacity \$ 78.00



BINDERS

- 18" Clamp \$32
- 24" Clamp \$37
- 30" Clamp \$39
- 36" Clamp \$42



GTS-100N Series Construction Total Station

- Rugged, Durable, Water resistant design
- Full Numeric Keypad
- Stores 24,000 points
- 2000 meters to a single prism



Starting from \$7,795
or
\$750 per month rental



150-0268 Mini Prism Package \$160

Aervoe Inverted Paint \$4.25/can



5" Locke Hand Levels \$ 26 (150-17621)

5" long square sighting tube with fixed eyepiece and a durable yellow finish.



6" Round Hand Level \$52

This high quality 6" long hand level has all brass construction, a fixed eyepiece and an externally mounted bubble assembly. The hand level body is electrostatically powder painted bright safety-yellow. Hexagonal objective cap prevents rolling.